

NOTES:

1. Weight = Approx. 3,900 lbs per piece.
2. Laying length between connector pins is 10'-0".
3. "Gawk" screen holes is 1½"Ø x 12" deep.
4. Cured in accordance with 2010 Caltrans Standard Specifications Section 90 -1.03B



206 N. Central Ave.
Compton, CA 90220
310-327-5554
TrenchShoring.com

PRODUCT NAME:
K-10

DESCRIPTION:
TYPE K-10

DESIGN SPECIFICATIONS

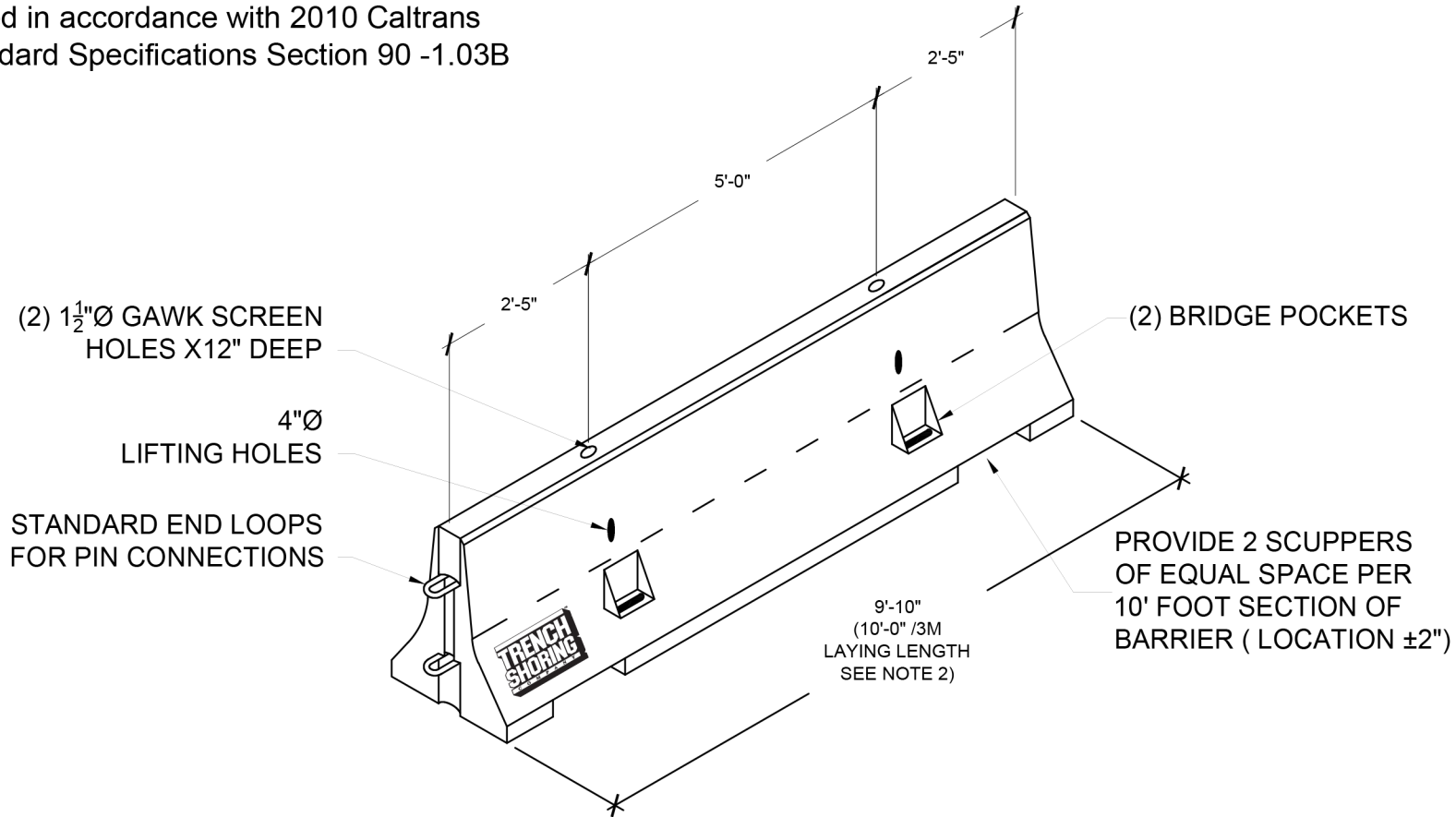
PRO-CAST PRODUCTS RESERVES THE RIGHT TO MAKE CHANGES TO PRODUCT DESIGN AND/OR DIMENSIONS WITHOUT NOTICE. PLEASE CONTACT PRO-CAST PRODUCTS WHENEVER NECESSARY FOR CONFIRMATION OR ADVICE ON PRODUCT DESIGN.

CONTENTS:

- ISOMETRIC

SCALE:	3/8"=1'-0"
DRAWN BY:	F.M. 12/06/2017
REVISED BY:	
CHECKED BY:	-- --

DRAWING NO.
B-002A



ISOMETRIC

SCALE: 3/8"=1'-0"

Barrier Type K-10