



BEDDING BOXES & GRIZZLEY SCREENS

Bedding Boxes Reduce Waste & Maximize Productivity

Bedding Boxes eliminate the waste of expensive bedding material while maximizing equipment efficiency at the jobsite. The loader operator remains productive, with no wasted time waiting to load and place bedding material in the trench. The loader is free to perform other jobsite tasks while occasionally restocking the Bedding Box.

- High-tensile steel construction for extra-long service life
- Half-inch steel bottoms and ends minimizes routine bucket-contact wear and tear
- High-strength tubular frame for durability and structural integrity
- Skid bottoms (standard) reduce wear from dragging and walking movement
- Radius-pipe skid bar reduces material accumulation (plowing effect) while pushing forward
- Lifting/pulling lugs (standard) for easy sling attachment and box movement
- Sloped Ends for efficient bucket access and retrieval of bedding material
- Lift/walk bars (standard) for added mobility and ease of handling with the excavator

Grizzly Screens – Available in 8.5' and 12'

8.5' - Solid stock tumbler bars and solid Grizzly bars with 3/8" thick tubing and plate for support this unit holds up like a pro in the excavation and construction arenas.

12' - Developed to work with the 4 to 5 yard load market. Built with solid 1.5" tumbler bars and 1"x4" solid Grizzly bars this unit will withstand thousands and thousands of yards of rock and dirt. Our 12'-12" Grizzly is built with 2"x4" solid grizzly bars and 2" solid tumbler bars to take on Rip Rap and more!

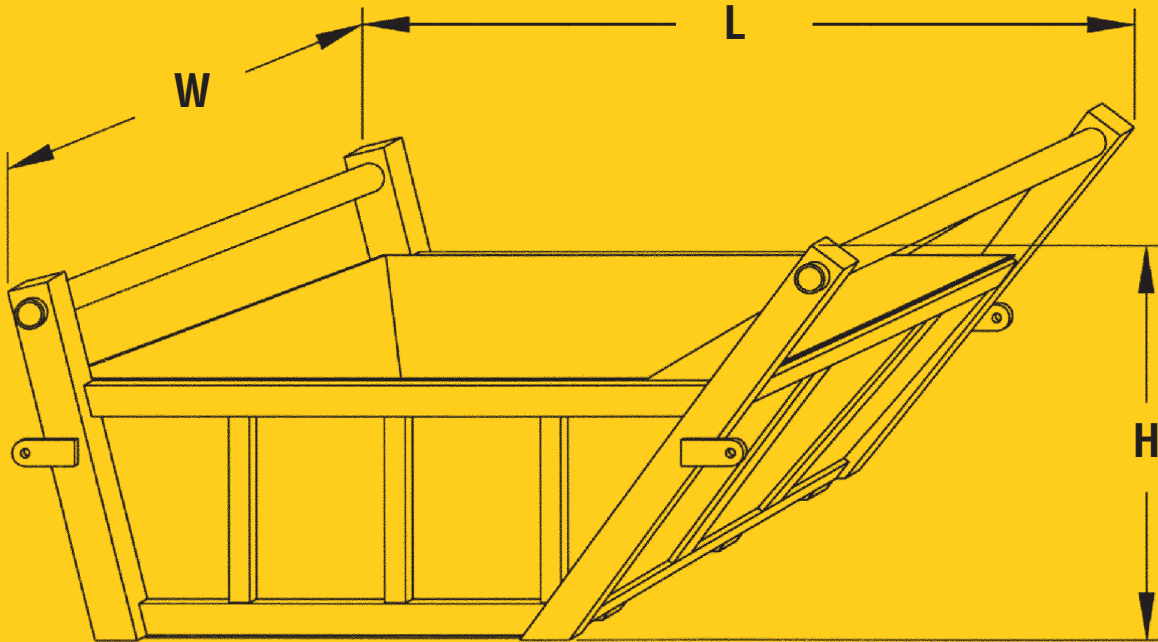


"Commitment To Safety & Service"
Since 1973

Providing same day service from all our locations to Southern California, San Leandro/Bay Area, Bakersfield, Fresno, the San Joaquin Valley and the Las Vegas, Nevada areas.

310-327-5554
TrenchShoring.com

BEDDING BOX SPECIFICATIONS



| Capacity Cu. Yds. | Height | Length | Width | Weight |
|-------------------|--------|--------|-------|------------|
| 7.5 | 50" | 11' | 80" | 5,290 lbs. |
| 9 | 50" | 12' | 80" | 5,575 lbs. |
| 12 | 56" | 14' | 84" | 7,710 lbs. |

PROVIDING SAME DAY SERVICE FROM ALL OUR LOCATIONS

Compton • Corporate Office

206 N. Central Ave.
Compton, CA 90220
(310) 327-5554

Bakersfield

301 Lawson Rd.
Bakersfield, CA 93307
(661) 396-9160

Fresno

88 N. Hughes Ave.
Fresno, CA 93706
(559) 691-4123

Moorpark

13826 Princeton Ave.
Moorpark, CA 93021
(805) 529-4614

Las Vegas, Nevada

4035 Flossmoor St.
Las Vegas, NV 89115
(702) 651-0920



Banning

1184 W. Lincoln St.
Banning, CA 92220
(951) 849-1611

Fullerton

1400 E. Orangethorpe Ave.
Fullerton, CA 92831
(714) 879-1005

San Diego

9450 Dowdy Dr.
San Diego, CA 92126
(858) 530-2500

Corona

325 N. Cota St.
Corona, CA 92880
(951) 734-4290

Lake Forest

20542 Pascal Way
Lake Forest, CA 92630
(949) 454-0858

San Leandro

2371 Polvorosa Ave.
San Leandro CA 94577
510-900-0595



TrenchShoring.com