



**"Commitment To Safety & Service"  
Since 1973**



# **SBH SLIDE RAIL ROLLING STRUT SYSTEM**



- **WIDEST WIDTHS**
- **STRONGEST RAILS**
- **LONGER PANELS**
- **MAXIMUM CLEARANCES**

Trench Shoring Company is the  
authorized distributor for:



# Slide Rail System

**Widest Widths. Strongest Rails. Longer Panels.  
Maximum Clearances.**

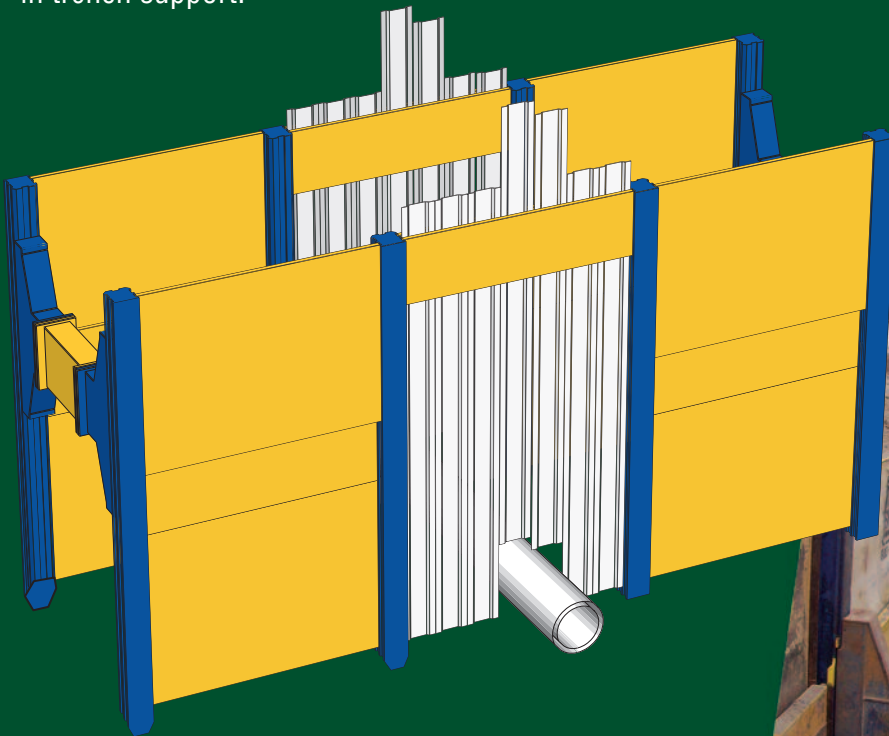
The Slide Rail system is a vertical sheeting and trench support system. It is used to replace the conventional application of wood or steel sheeting. In using the system, the excavation may be shored from ground level to subgrade without soil movement.

It is a highly effective system in areas having unfavorable ground conditions or where an existing underground infrastructure would pose difficulties in trench support.

By using the modular Slide Rail system either with side panel lining plates or in-line sheeting templates, the system will accommodate a variety of job site requirements.

There is an added benefit to the contractor, in that a significant savings in labor and materials will be realized.

Trench Shoring Company is the  
authorized distributor for:



## Slide Rail Advantages

- Provides safety while excavating
- Tight sheeting without soil movement
- Vibration free, no damage to adjacent structures
- Saves money: less material cost than conventional sheeting, finish in a third of the time using half of the labor
- Engineered to meet O.S.H.A.



# Slide Rail System

**Flexibility of design allows unlimited adaptations to accommodate a variety of sheeted excavation requirements. Virtually any configuration is possible using combinations of single, double or triple slide rails, corner rails, side panels and in-line sheeting templates.**

## **Use Slide Rail Tight Sheeting for:**

- Pre-cast and Cast in Place Structures
- Concrete Walls and Footings
- Retaining Walls and Footings
- Seepage Basins
- Culverts
- Pump Stations
- Deep Manholes
- Tank Installation or Removal
- Boring and Jacking Operations
- Pipeline Installation
- Foundation Waterproofing
- And More





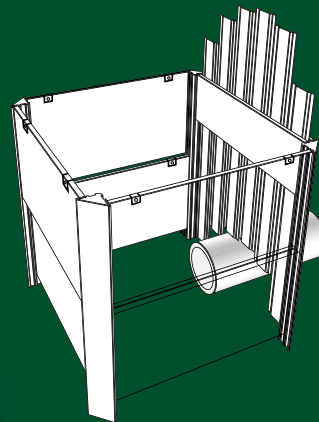
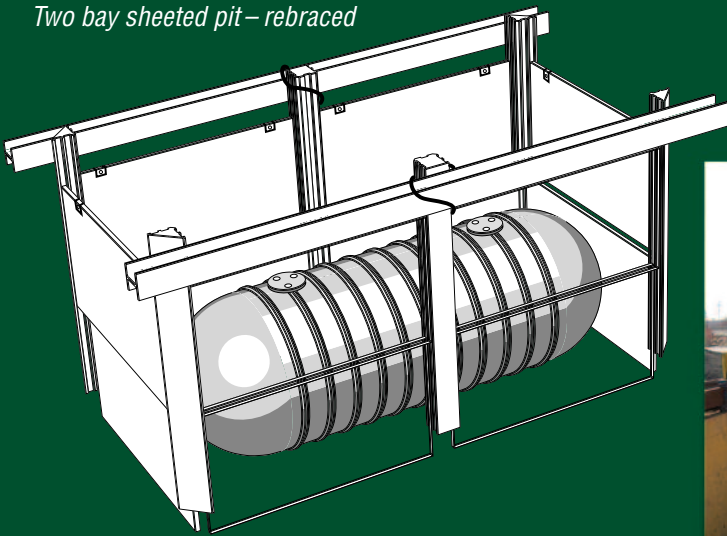
# Slide Rail System

## Telescoping step down systems using 90° corner posts.

Walers are used for side support when clear span requirements are needed.

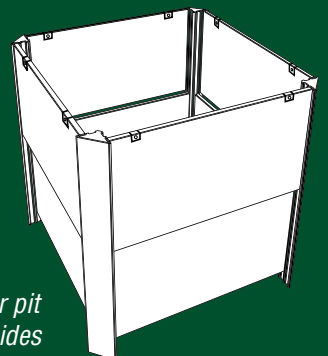
When rolling strut removal is required—it couldn't be easier!— remove top limit pins and pull out... no nuts, bolts, wrenches or mechanics are required.

*Two bay sheeted pit – rebraced*



*Small rectangular pit with sheeting on one (or both) ends*

*Small rectangular pit closed all four sides*



# The Rolling Strut ADVANTAGES!

**Save time with ease of installation.**

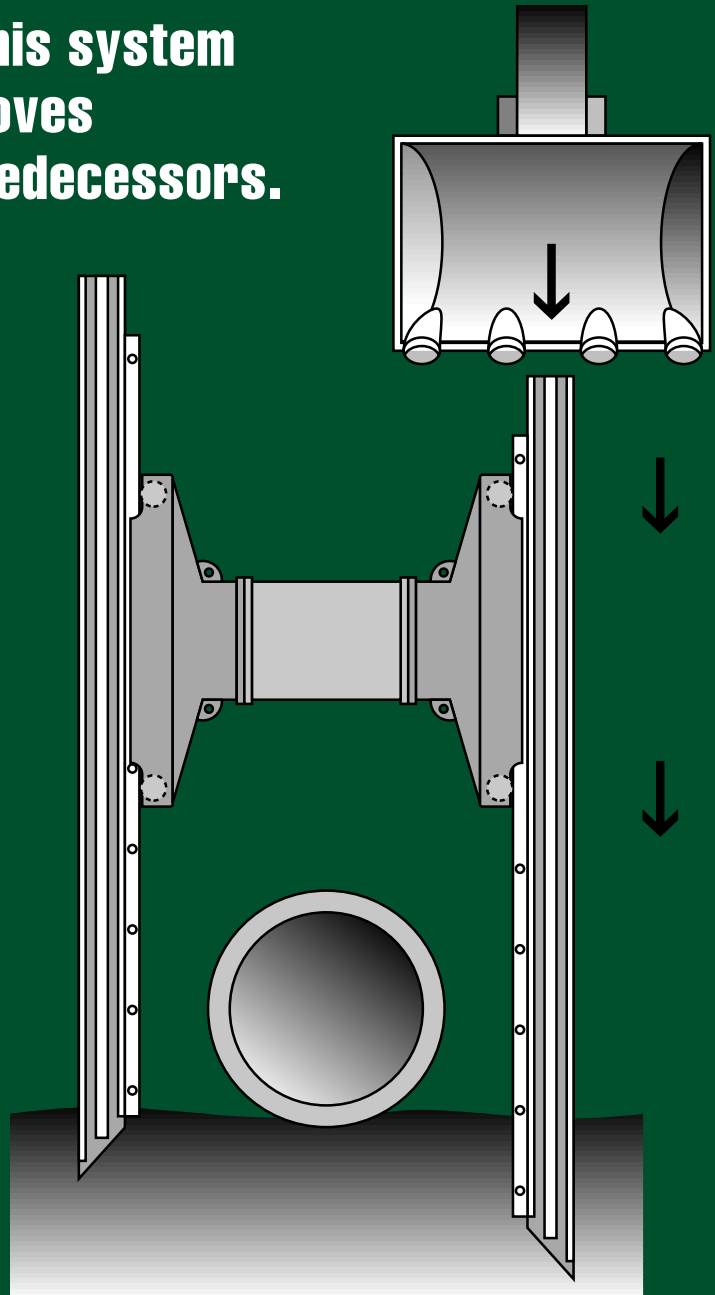
**Save money because this system  
installs and removes  
faster than any of it's predecessors.**

- Strongest Rails and Struts in the industry
- Maximum Clearances
- Maximum Cantilevers
- Straight Drive — also means  
    No Rocking  
    No Soil Movement
- Competitively Priced
- Available for Sale or Rentals
- P.E. certified to OSHA regulations  
    Site specific engineering available
- Field service/supervision with on site  
    assembly and take down

## **SBH Hydralifter...**

### **Less Vibration, Less Noise**

The Hydralifter is a hydraulic panel, post, and steel plate extractor. It is used to break free the inner base and top plates that are used in Slide Rail shoring. The Hydralifter is mounted to an excavator's hydraulic lines and is placed on top of outer panel rigging. The Hydralifter safely and gently removes plates without the use of heavy excavators leading to: safety on the site; less equipment damage; less vibration and noise; saving of time and costs.



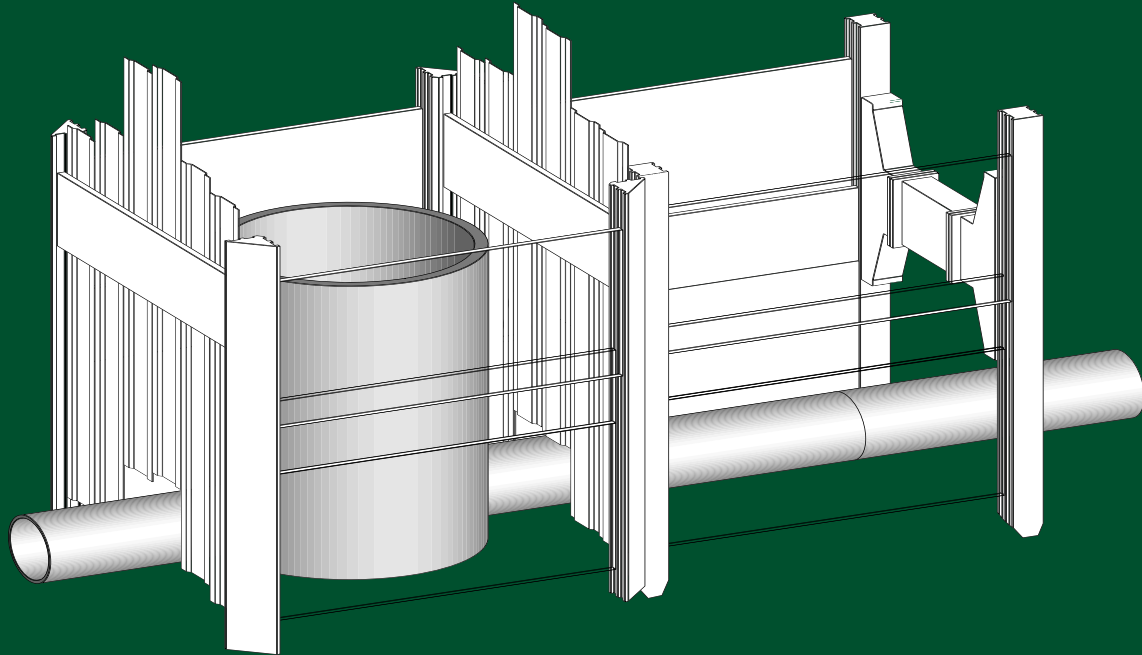
**This design provides more pipe clearance  
than any other system.**



Trench Shoring Company is the  
authorized distributor for:



# Tight Sheeting System with ROLLING STRUTS



**Trench Shoring Company has the equipment and know-how  
to meet all your underground needs.**

- Aluminum Hydraulic Shores and Mechanical Screw Jacks
- Flex-Shield™ Trench Boxes and Manhole Boxes
- “Z” Shore (heavy duty steel hydraulic shoring)
- Slide Rail Shoring Systems
- Trench/Road Plates
- Flo-Line Grade Transfer Instrument
- Steel Crossing Plates and Bridges
- Pipe Testing Equipment, Pipe Cutters and Pullers
- Steel Beams, Timbers and Plywood
- Confined Space Equipment
- TRACKCLEAN®
- Statewide Delivery

**PLATES • BEAMS • SHORING  
SERVICE • RENTAL • SALES**

Trench Shoring Company is the  
authorized distributor for:



**TRENCH  
SHORING**  
C O M P A N Y

**"Commitment To Safety & Service"  
Since 1973**

**Compton • Corporate Office** (310) 327-5554  
206 N. Central Ave. • Compton, CA 90220

**Bakersfield** (661) 396-9160  
301 Lawson Rd. • Bakersfield, CA 93307

**Banning** (951) 849-1611  
1184 W. Lincoln St. • Banning, CA 92220

**Corona** (951) 734-4290  
325 N. Cota St. • Corona, CA 92878

**Fresno** (559) 691-4123  
88 Hughes Ave. • Fresno, CA 93706

**Fullerton** (714) 879-1005  
1400 E. Orangethorpe Ave. • Fullerton, CA 92831

**Lake Forest** (949) 454-0858  
20542 Pascal Way • Lake Forest, CA 92630

**Moorpark** (805) 529-4614  
13826 Princeton Ave. • Moorpark, CA 93021

**San Diego** (858) 404-0095  
9450 Dowdy Dr. • San Diego, CA 92126

**San Leandro** (510) 900-0595  
2371 Polvorosa Ave. • San Leandro, CA 94577

**Las Vegas** (702) 651-0920  
4035 Flossmoor St. • Las Vegas, NV 89115