



JB Pipepuller HD1800 Base Unit



JB Pipepuller HD1800 Base Unit
(Used on Reinforced Concrete Culverts 4'-12' Tall)

Pieces Included with Base Unit:

- Shipping Pallet
- 8" - 10" - 12" J-Hooks
- Cordless Remote
- Coded Remote
- Clevis
- J-Links
- Operation Manual

Additional Options Available to Purchase:

- Front Mount Tube
- RCP Short Cross Bar
- RCP Long Cross Bar
- Tail Anchor
- J-Hook (Various Sizes)

Recommended Battery

Due to shipping restrictions, the battery is not included. We recommend purchasing this Deep Cycle Battery or equivalent to these specifications:

SRM-4D

Volts.....	12
Group Size	4DCC
Part Number	SRM-4D
Cold Cranking Amps	1314
Cranking Amps.....	1645
Reserve Capacity @ 25hr	390
Length	21
Width	8 1/4
Height.....	10 3/8
Weight.....	117



HD1800 Base Unit Shipping Skid

Shipping Dimensions and Weight: 41" Wide • 58" Tall • 72" Long • 1350#



Right Front Side View

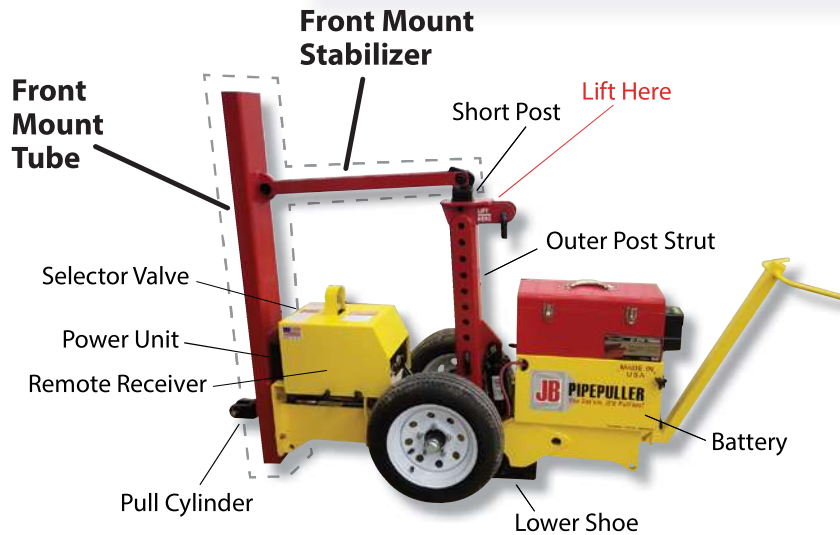


Left Rear Side View

JB Pipepuller with Front Mount Tube
(Used on Culverts 4' Tall and Shorter)



The optional Front Mount Tube sets in front of box or pipe 48" tall or less. The length is limited by combination of J-Link, chains or cable.



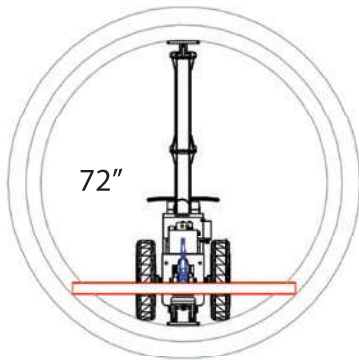


OPTIONAL PART
56" RCP SHORT CROSS BAR

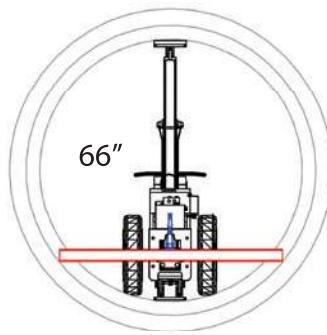
56" RCP Short Cross Bar
(Recommended for 72" - 54" RCP)



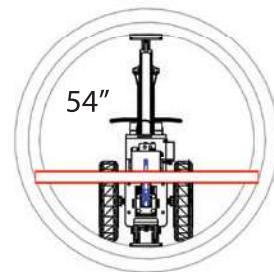
The optional RCP Short Crossbar works well with a low profile pipe Laser to line up the culverts.



72"



66"



54"

56" RCP Short Cross Bar



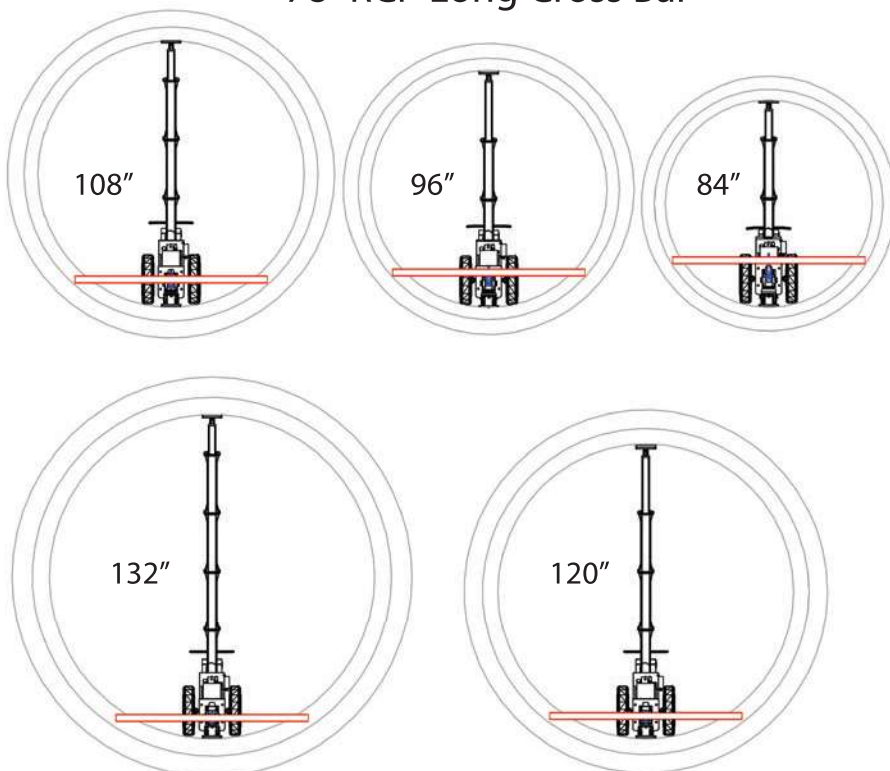
OPTIONAL PART
78" RCP LONG CROSS BAR

78" RCP Long Cross Bar
(Recommended for 84" - 132" RCP)



The optional RCP Long Cross Bar positioned in the culvert.

78" RCP Long Cross Bar



Tail Anchor

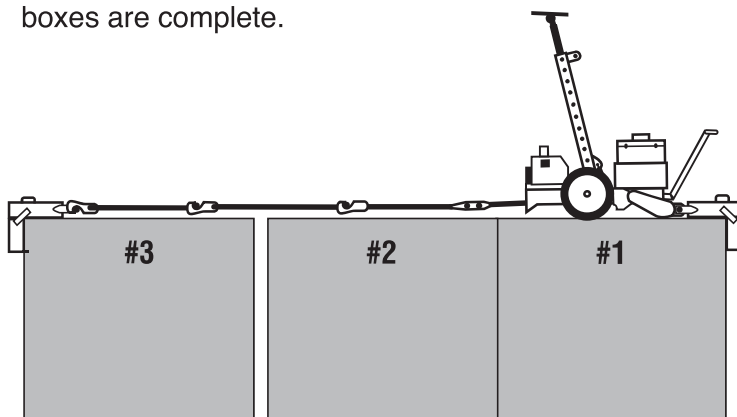


This specialty option is typically used on the top of box culverts with an inside height of less than 48" or on the inside of tall box culverts where the lift anchors were preplanned for this feature eliminating the need for the very tall strut.

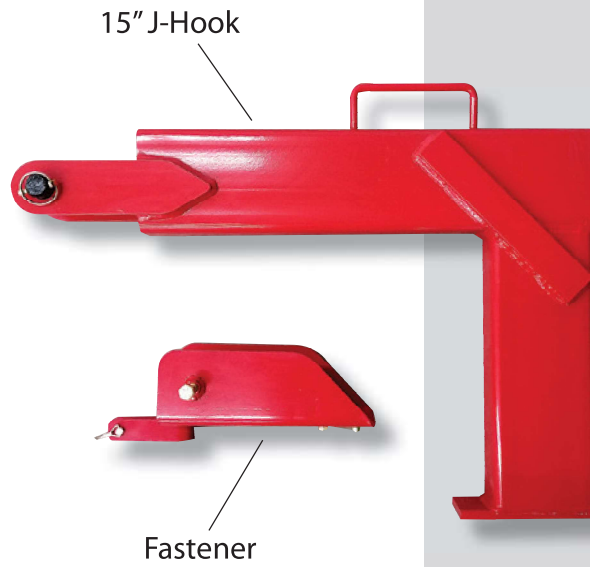
Plan ahead to figure out your hook up options.

If no headwalls exist, the picture below will work well to get started. Use proper blocking methods as described on page 20. If there is a headwall on the first box then several boxes may need to be pulled together by other means such as use of the FMT or heavy-duty come-alongs.

Approved anchors and chains are then used for the rear anchor by connecting to the lift anchors cast into the boxes. Move the puller ahead after each box is set and pulled and until the run of boxes are complete.



15" J-Hook
(Other Sizes Available)



A J-Hook mounted on the side of a culvert.



J-Hook mounted for transportation.

Duel Pro RS1



This charger will not be mounted due to damage that could occur during shipping. All the bolts used for fastening will be provided.

Product Features

- Approved for Wet Cell and Absorbed Glass Mat (AGM) batteries
- Designed for use in fresh and salt water
- Dependable, rugged construction and waterproof
- Independent outputs and fully automatic
- Battery maintenance mode
- Two year warranty
- DC charge cables = 5ft and AC power cord = 3ft
- Approved and meets ISO 8846 Marine standards
- Models available to charge 12-24V systems
- LED lights indicate "Each Battery's" state of charge
- Reverse polarity protected and no installation restrictions
- Ignition protected (US Coast Guard 33 CFR 183,410)
- FCC 15 Parts A and B Interference Compliant

